

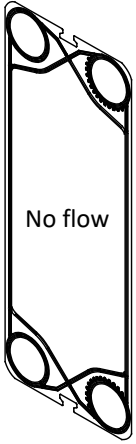
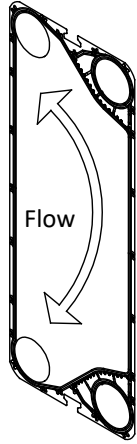
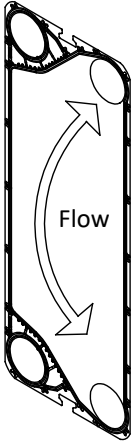
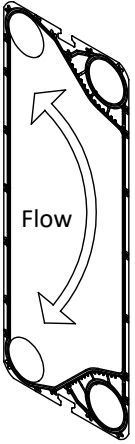
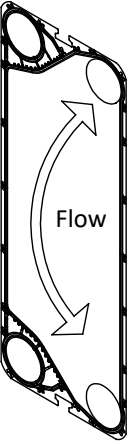
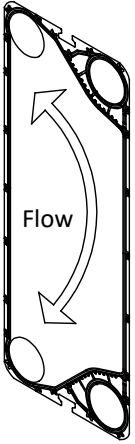
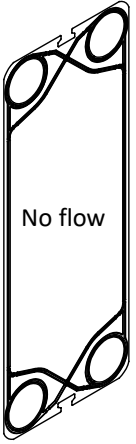


1. Plate Heat Exchanger (PHE) / Arrangement of heat transfer plate

PHE's plate pack consists of Heat transfer plate and Plate gasket.

The first heat transfer plate between S-Frame, L-Frame, C-Frame and E-Frame is called "D-Plate". The end plate is called "E-Plate". Plates between D-Plate and E-Plate are called "Channel Plate". Plate arrangement shall follow the below illustration.

First and end plate in the table below shows the case of A-Plate.

First plate	Channel plates				End plate	
						
No flow	Flow	Flow	Flow	Flow	Flow	No flow
	B-Plate	A-Plate	B-Plate	A-Plate	Front side	Back side
Refer to section "D-Plate" for gasket installation.	Refer to section "Channel-Plate" for gasket installation.				Refer to section "E-Plate" for gasket installation.	

- Gasket has each type, style, size and setting position depend on PHE models.
- For gasket installation, refer to the manual "12-3-2 Replacement of Plate Gasket".
- Refer to Mixed Gasket Materials Manual for Several Composition Materials.
- For checking the model of the device you are using, refer to the manual "7 Model Description".

Note1) When purchase gaskets from our company, make sure the latest information because shape of gasket may change without prior notice.

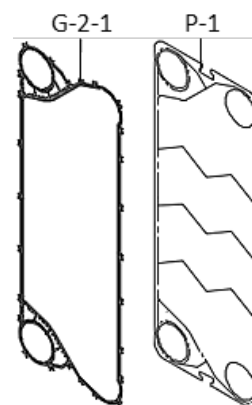
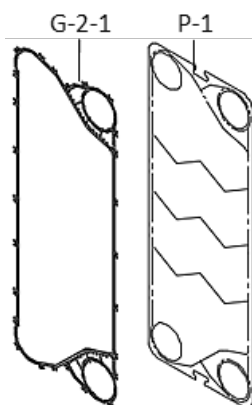
2. Type and name of heat transfer plate and gasket.

Channel-Plate

Common structure for all model

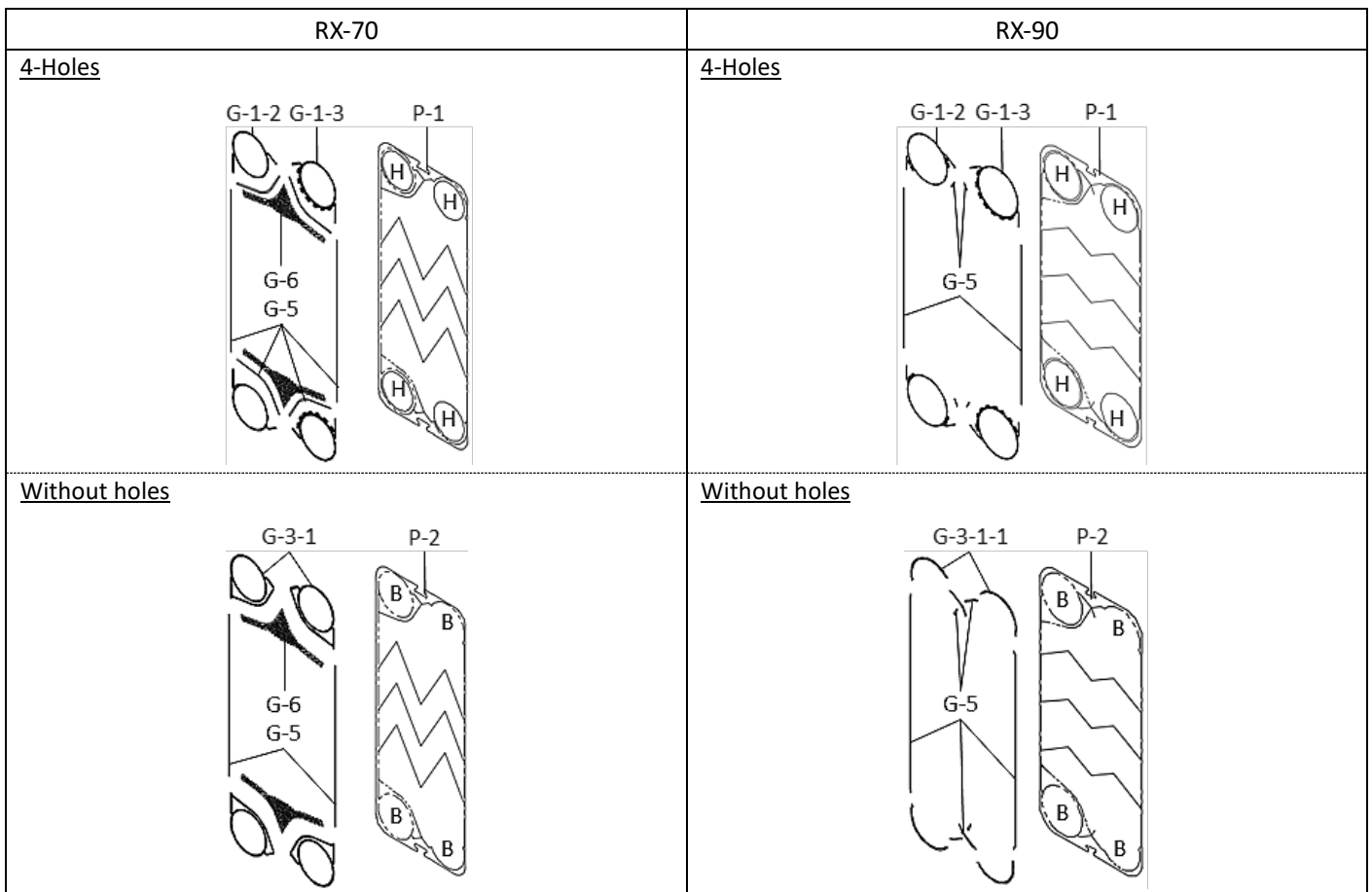
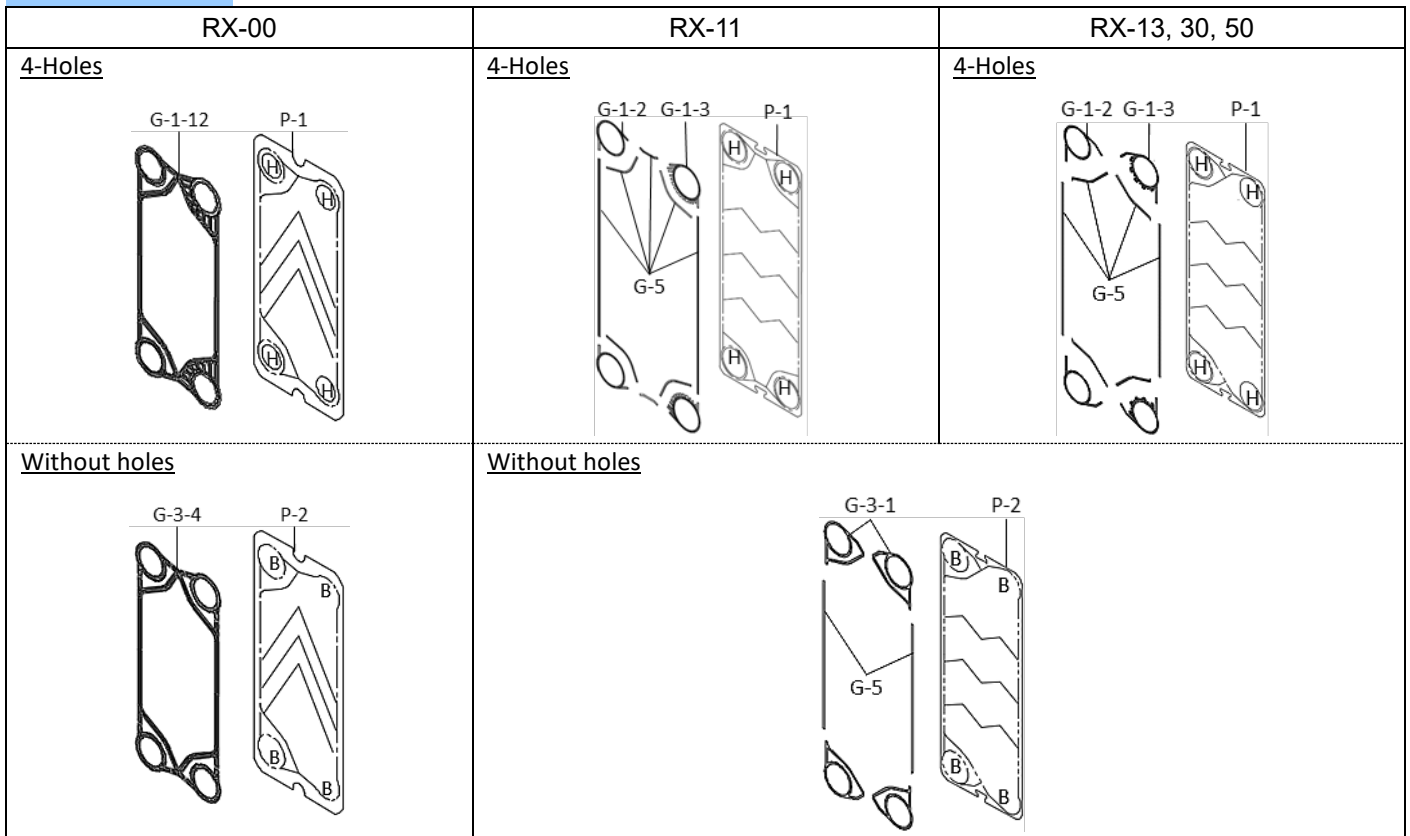
B-Plate with gasket

A-Plate with gasket



P-1	PLATE (4-HOLES)
G-2-1	PLATE GASKET

D-Plate



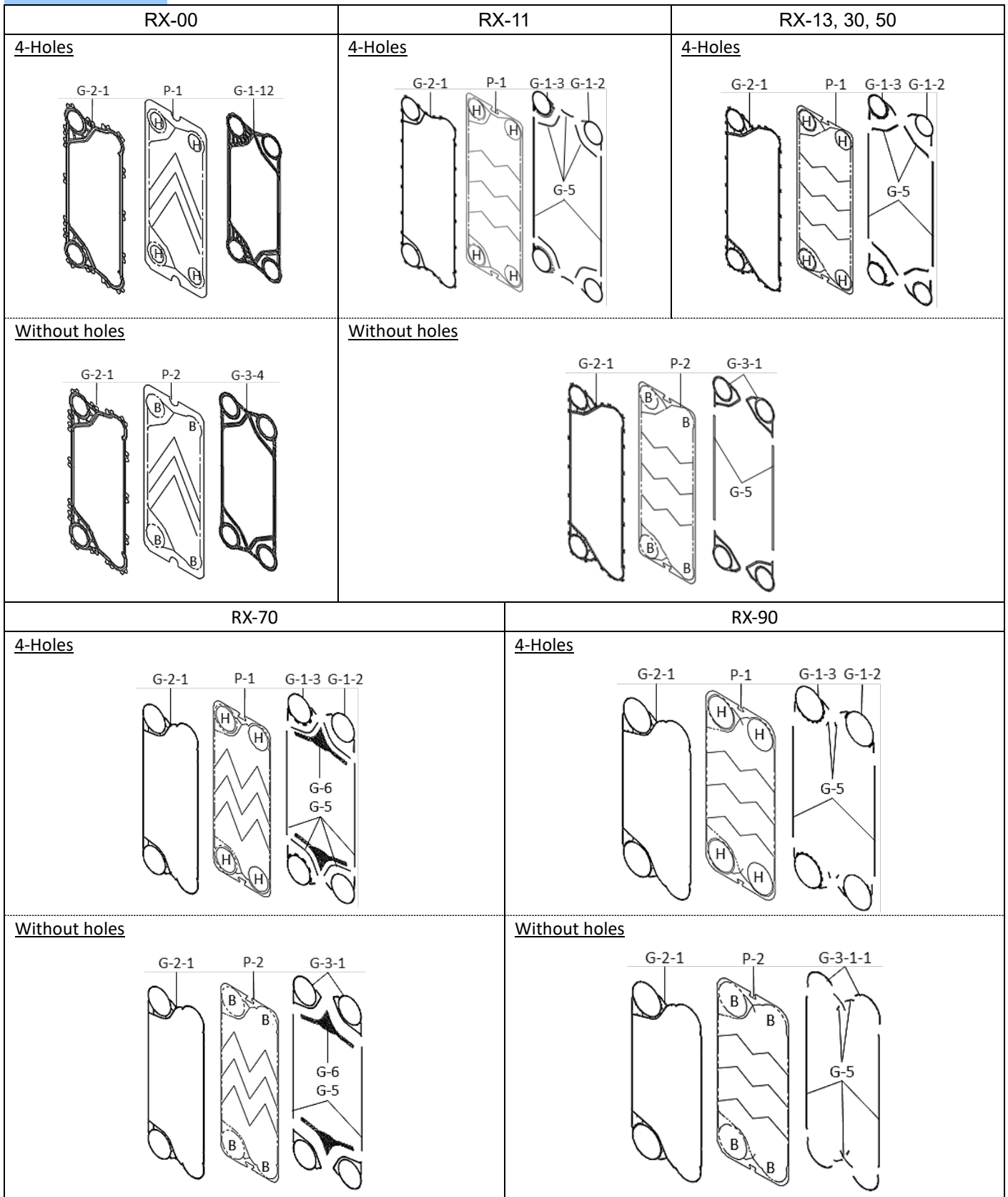
H: Hole B: Blind

P-1	PLATE (4-HOLES)	G-3-1	E GASKET
P-2	PLATE (WITHOUT HOLES)	G-3-1-1	E GASKET (CUTTING)
G-1-2	DA GASKET	G-3-4	E PLATE GASKET
G-1-3	DB GASKET	G-5	S DISTANCE Note3)
G-1-12	D PLATE GASKET	G-6	T DISTANCE

Note2) D-Plate in the table above shows the case of A-Plate.

Note3) For dimensions of G-5, refer to "3. S Distance (G-5) Dimension Table".

E-Plate



H:Hole B:Blind

P-1	PLATE (4-HOLES)	G-3-1	E GASKET
P-2	PLATE (WITHOUT HOLES)	G-3-1-1	E GASKET (CUTTING)
G-1-2	DA GASKET	G-3-4	E PLATE GASKET
G-1-3	DB GASKET	G-5	S DISTANCE Note5)
G-1-12	D PLATE GASKET	G-6	T DISTANCE
G-2-1	PLATE GASKET		

Note4) E-Plate in the table above shows the case of A-Plate.

Note5) For dimensions of G-5, refer to "3. S Distance (G-5) Dimension Table".

3. S Distance (G-5) Dimension Table

Model		D-Plate / E-Plate	Holes	Dimension [mm]	Number
RX-00		N/A			
RX-10	RX-11	D-Plate / E-Plate	4-Holes	670	2
				200	4
			Without holes	90	2
				600	2
	RX-13	D-Plate / E-Plate	4-Holes	200	4
				600	2
RX-30	D-Plate / E-Plate	4-Holes	600	2	
			210	4	
		Without holes	600	2	
RX-50	D-Plate / E-Plate	4-Holes	1010	2	
			400	4	
		Without holes	1010	2	
RX-70	D-Plate / E-Plate	4-Holes	1170	2	
			410	4	
		Without holes	1170	2	
RX-90	D-Plate / E-Plate	4-Holes	1220	2	
			480	4	
		Without holes	1220	2	
			1570	2	
			30	4	
			1900	2	
230	2				
150	4				
30	4				

Note6) Cut according to the dimensions in the table, and attach according to the figure in "2. Type and name of heat transfer plate and gasket."

Note7) Notation is a representative dimension. Please install the small parts according to the actual product.

Note8) For other product information and inquiries, please refer to our website and "2 Operation and Maintenance Manual".

(HP : <https://www.hisaka.co.jp/english/>)